

APPLIES TO CLE ELUM AND WEST OF CLE ELUM WITHIN UPPER KITTITAS COUNTY

Requirements for gas meters in snow country

Contact your PSE Project Manager to determine if your property requires gas meter protection from falling ice, snow, and other conditions including snow accumulation that can result in gas meter damage or cause a regulator malfunction.

The gas meter must comply with all of the information in this handout, as well as the location and clearance requirements defined in the following PSE publications available through your PSE Project Manager:

- **Gas and Electric Underground Service Installation Requirements** handout (form 3061)
- **Gas Meter Clearances and Service Installation Requirements** handout (form 3885)
- **Gas Service Handbook** (commercial and multifamily installations only)

PSE reserves the right to designate gas meter locations so that they comply with PSE standards.

Submit the gas meter location and shelter design proposal (if applicable) to your PSE Project Manager for approval before construction begins.

Location of gas meters for snow and ice protection

The gas meter shall be located such that potential damage from falling ice and snow, snow accumulation, and other conditions is limited.

The following snow and ice protection options are listed in order of priority. The gas meter may be installed without a shelter for either option.

OPTION 1: Locate the gas meter on a wall beneath the **gable-end** of the roof with **at least 16 inches** from the outer edge of the roof and **at least 24 inches** from where the gable intersects with a forward-sloping roof. (See **Diagram A.**) Locate a gas meter on a wall beneath a **flat roof** only if the **overhang is at least 24 inches** (see note below) and the gas meter can be placed **at least 16 inches** from the outer edge of the roof.

OPTION 2: Locate the gas meter on a wall beneath a **forward-sloping or hipped roof**, where the roofing material is either composite or metal, the **overhang is at least 48 inches**, and the wall height is **less than 25 feet**. (See **Diagram B.**)

NOTE: PSE must grant approval for alternate locations. A gas meter shelter may be required in some cases because sliding snow presents a risk to facilities and personnel.

Diagram A

Option 1: Gas meter location options beneath a gable-end or flat roof

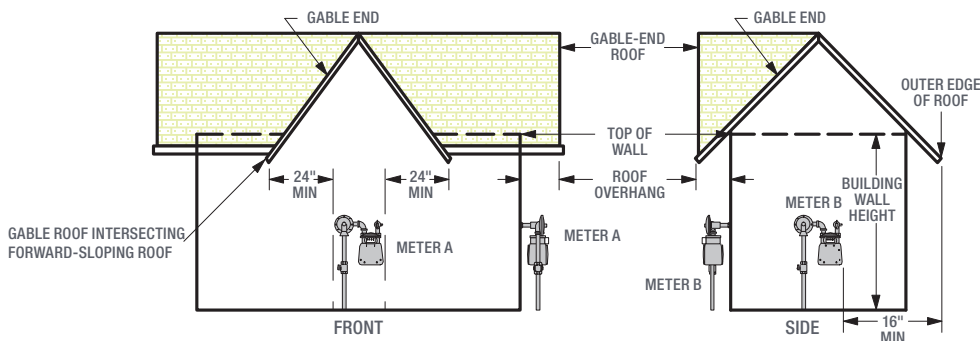
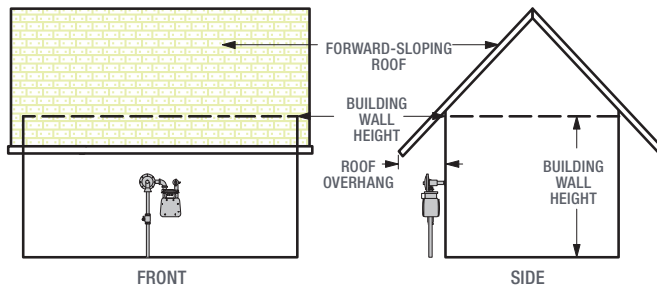


Diagram B

Option 2: Gas meter location options beneath a forward-sloping or hipped roof



Gas meter protection from snow and ice in snow country

Gas meter set assembly installation requirements

PSE requires an approved mechanical/building permit to be posted and visible from the outside before the gas meter can be installed.

The following shall be considered when installing the gas meter:

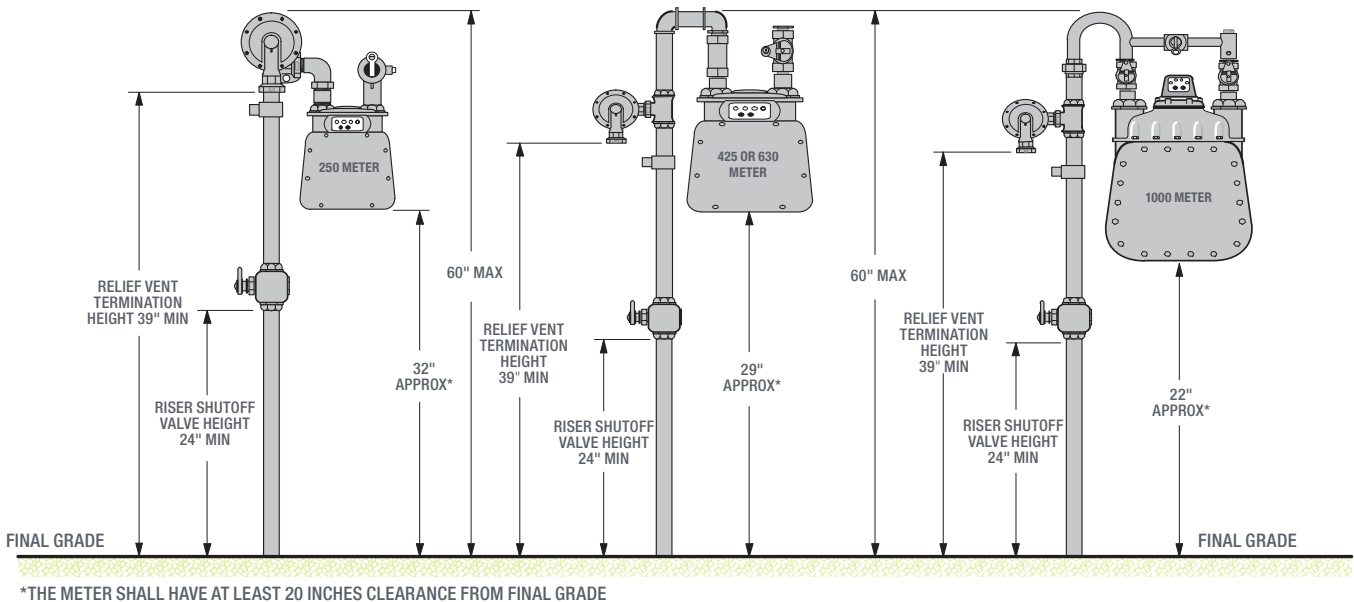
- The sun exposure of the wall where the gas meter is located.
 - » The gas meter should be located on the wall that faces, in order of preference: south, west, and lastly east.
 - » The wall with northerly exposure should be avoided and used as a last alternative.
- The typical direction of weather fronts, since this plays a role in how snow accumulates.

To determine which meter type you need, contact your PSE Project Manager. (See **Diagram C** for typical gas meters.)

The fuel line stubout should be installed **at 60 inches** from final grade.

Diagram C

Typical snow country residential 250, 425, 630, and 1000 gas meter installation



Service pipe depth of cover requirements for snow country

For properties in snow country, the minimum required depth of cover over the gas service pipe is 24 inches.

Avoid these problems that can delay installation

Requested gas meter location and clearances are not acceptable.

Trench depth and installation do not meet PSE requirements.

Trench bedding and shading do not meet PSE requirements.

Gas meter protection from snow and ice in snow country

Gas meter set assembly shelter requirements

The Customer is responsible for ensuring that the meter set assembly shelter design and construction comply with the following:

- Provide adequate clearances for operations and maintenance of the meter set assembly (see dimensions below).
- Do not enclose the meter set assembly.
- Meet current building code requirements.
- Shelter's roof must have a gable-end design and be adequately supported to protect the meter set assembly from snow loads. Roof support pillars may be necessary.

The meter set shelter design variables include:

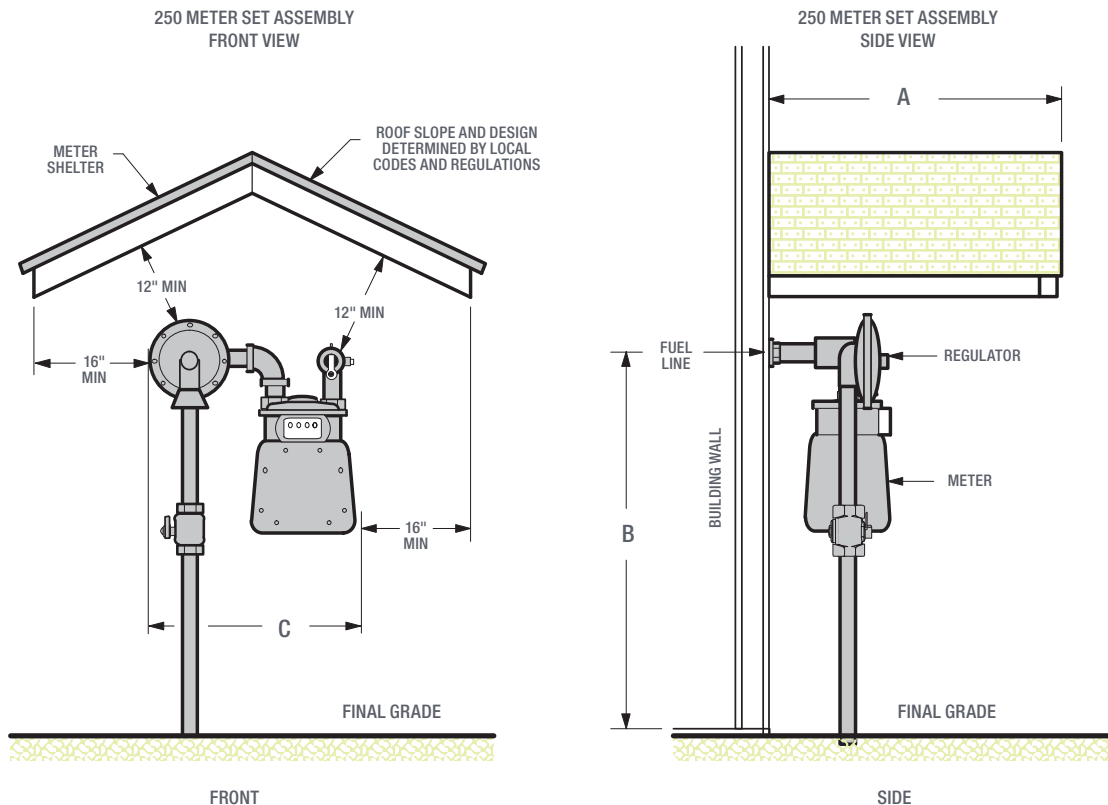
- Roof materials
- Roof pitch
- Structural requirements for geographic snow loads

The meter set assembly will not be installed until the shelter is installed.

To determine which meter type you will need, contact your Puget Sound Energy (PSE) Project Manager.

PSE requires an approved mechanical/building permit to be posted and visible from the outside before the meter set assembly can be installed.

Meter Type	A Shelter Depth	B Fuel Line Height	C Meter Set Assembly (Typ)
250	24" Minimum	55"	16"
425/630	24" Minimum	55"	24"
1000	28" Minimum	55"	26"



THESE DIAGRAMS ARE FOR DIMENSIONAL REFERENCES ONLY.

Gas meter protection from snow and ice in snow country

Gas meter set assembly shelters

- Provide protection from falling/melting snow and ice and buildup on the meter.
- Provide a safe working environment during maintenance and emergency personnel access.
- Prolong the life of the meter.
- Do not have to be attached to the primary structure, provided they still offer adequate protection.



**Know what's below.
Call before you dig.**

What to do if you suspect a natural gas leak

- Leave the area immediately.
- Move to a safe distance where you do not smell the escaping natural gas.
- After you are at a safe distance, call Puget Sound Energy at **1-888-225-5773** or call **911**.
- For emergencies, call **911**.

QUESTIONS

Call PSE's Customer Construction Services
1-888-321-7779 or visit
pse.com/customerconstruction.

BEFORE YOU DIG

Call Utilities Underground Location Center (811) two
business days before you dig.